

DESCRIPTION

- Indoor clock with analogue display.
- Hour-Minute display.
- The clocks have been designed in partnership with the design office of the French railways.
- Models: serial ½ minute receiver, 24V minute receiver and IRIG-B/AFNOR coded time receiver.

STANDARDS

- Standard EN 50082-1: Electromagnetic Compatibility.
- Standard EN 55022 class B: Information Technology Equipment– Radio disturbance characteristics.
- Standard EN 60950: Information Technology Equipment - Safety.



TECHNICAL FEATURES

	Movement	Power supply	Operating temperatures	IP	IK	Optimal viewing distance	Weight
Profil TGV 930	½ minute receiver		-25°C to +70°C	40	08	20 m	0.9 kg
	Minute receiver		-25°C to +70°C	40	08	20 m	0.9 kg
	IRIG-B/AFNOR receiver	230 Volts 50Hz ±10%	-25°C to +70°C	40	08	20 m	1.3 kg
Profil TGV 940	½ minute receiver		-25°C to +70°C	40	08	35 m	2.1 kg
	Minute receiver		-25°C to +70°C	40	08	35 m	2.1 kg
	IRIG-B/AFNOR receiver	230 Volts 50Hz ±10%	-25°C to +70°C	40	08	35 m	2.5 kg

MECHANICAL FEATURES

- **Construction**..... ABS casing.
- **Glass**..... Protective glass made with poly methacrylate.
- **Clock colours**..... - black casing RAL9005.
- yellow hands and notches RAL1016.
- grey dial RAL7015.

REFERENCES

TGV 930	TGV 940	
981 942	983 942	IRIG-B/AFNOR coded time receiver
981 542	983 542	24V minute receiver
981 642	983 642	½ minute serial receiver

Back side of Profil TGV 930/940



MOVEMENTS AND SYNCHRONISATION

• IRIG-B/AFNOR coded time receiver

The coded time distribution consists in transmitting a complete time message every second: the setting on time of the receivers is realised automatically and immediately after connection to the clock line.

The IRIG-B/AFNOR coded time does not transmit interference and is insensitive to other electrical interference.

Consumption : 230V / 15 mA.

• Receiver 1/2 minute serial impulses

The receiver clocks are connected to a distribution line and activated by means of electrical impulses transmitted every 1/2 minute by the master clock.

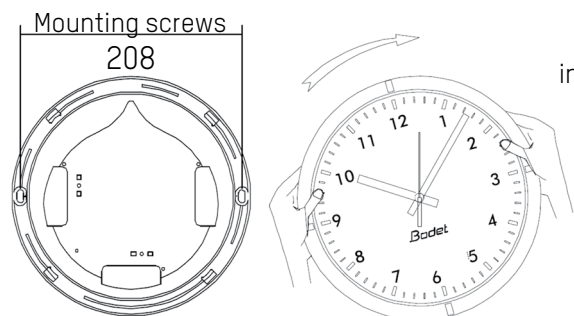
Consumption : 0,9V/65 mA.

• Receiver 12/24V minute impulses

The receiver clocks are connected to a distribution line and activated by means of electrical impulses transmitted every minute by the master clock.

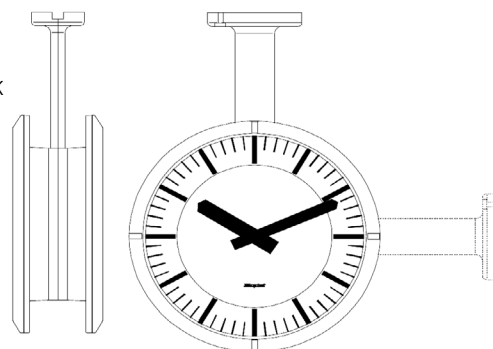
Consumption : 24V / 9,6 mA.

Single-sided wall support for IRIG-B/ AFNOR clocks



When the support is fixed on the wall, turn the clock a quarter turn in the clockwise so that the clock is in the correct position.

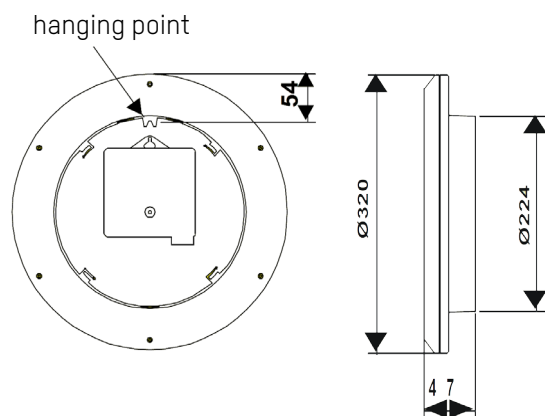
Double-sided bracket mounting



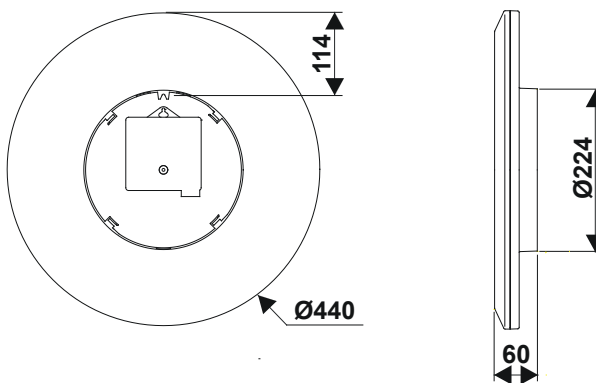
MOUNTING ACCESSORIES

- 981 001..... Double-sided bracket for quartz on battery and 12/24V minute
- 981 006..... Secure wall fixing bracket for single-sided clock
- 984 003..... Horizontal double-sided bracket for IRIG-B/AFNOR movement
- 984 004..... Vertical double-sided bracket for IRIG-B/AFNOR movement

PROFIL TGV 930



PROFIL TGV 940



Dimensions in mm

Réf.: 643221J 04/17

