

DESCRIPTION

- LED clock for outdoor installation.
- Hours and minutes display.
- Fixed time, fixed temperature or alternate time and temperature display.
- Height of digit 12 cm, optimal viewing distance: 45 metres.
- LED colours: red, yellow.
- Models: independent, impulse, wireless DCF, wireless DHF and AFNOR.



STANDARDS

- EMC: - EN55032.
- EN55024.
- LVD: EN60950.
- RSTTE (radio models): EN301-489-3.

GENERAL FEATURES

- **Adjustable brightness**..... Automatic photo cell.
- **Display mode**..... 24 hour.
- **Time change**..... Automatic when the clock is synchronised by an external source. No change over when independent.
- **Data saving**..... 3 days.
- **Time accuracy**..... 0.2 second/day.
- **Operation**..... Silent.
- **Digit**..... 7 segments with 9 LEDs each.
- **Hours and minutes separating**..... Colon made of 4 LEDs.
- **Configuration**..... 2 buttons.
- **Electronics**..... Tropicalised electronics.
- **Temperature display**..... -55°C to +99°C.
- **Display resolution**..... 1°C. Accuracy: ± 0.5°C.
- **Offset adjustment**..... -9° to +9°.

See product page on
>> www.bodet-time.com <<



MECHANICAL FEATURES

- **Construction**..... Matte black aluminium casing. (IP53, IK07 - window in polycarbonate shock-proof).
- **Operating temperature range**..... -30 to +60°C.
- **Weight**..... 6 Kg.
- **Dimensions**..... 546 x 240 x 90.5 mm (see on the back).

ELECTRICAL FEATURES

- **Power supply**..... 230VAC.
- **Consumption**..... 54 mA.
- **Electric protection**..... Class 1.

MOUNTING ACCESSORIES

- **935 005**..... Adaptation support Style 12E V1 V2.
- **935 006**..... Single or double sided bracket.
- **935 008**..... Back cover (single-sided mounting on pole).
- **935 012**..... Cable Kit for double sided

STYLE 12e REFERENCES

- **935 A1x**..... Independent / impulse receiver
- **935 A2x**..... IRIG-B/AFNOR coded time receiver
- **935 A6x**..... Radio synchronised DCF signal
- **935 A7x**..... Wireless DHF receiver

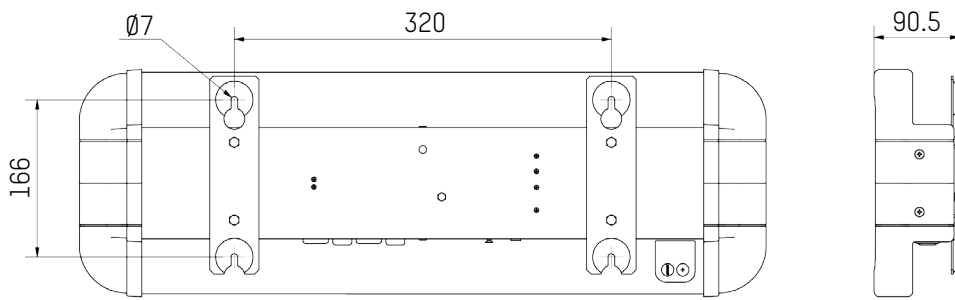
• Indicate LED colour by choosing the "x" of the reference:

1: red or 3: yellow



WALL MOUNTING

Dimensions in mm



MOUNTING ON HANGING BRACKET

- The hanging bracket makes possible to hang the clock from the ceiling or from the wall.

Dimensions in mm

