

DESCRIPTION

- SMD LED technology for indoor installation.
- Hours, minutes and seconds display.
- Fixed or alternate time with date or week number display or timer display or temperature (probe integrated to the clock) or chronometer display (optional chronometer keyboard).
- Height of digits 7 cm (seconds: 5 cm), optimal viewing distance: 30 metres.
- Angle of vision: 120°.
- LED colours: red, green, yellow, blue and white.
- Models: independent, impulse, wireless ALS+DCF, wireless DHF, AFNOR and NTP.



STANDARDS

- EMC: - EN55032, EN55024.
- LVD : EN60950.
- RED (radio models): EN301-489-3.

GENERAL FEATURES

- **Adjustable brightness**..... 4 levels.
- **Display mode**..... 12 or 24 h.
- **Eco mode**..... Programmable energy saving or predefined over a time period.
- **Time change**..... Automatic summer/winter time changeover and perpetual calendar.
- **Time base backup**.....
 - Independent model: 15 days in case of power failure.
 - Impulse model: in case of power failure, data saving and impulses reception without battery.
 - Synchronised models: at each start the clocks wait for the synchronisation signal.
- **Time accuracy**..... 0.2 second/day (except NTP model: precision dependent on the time server).
- **Operation**..... Silent.
- **Digit**..... 7 segments with 4 LEDs (hours-minutes) and 7 segments with 3 LEDs (seconds).
- **Hours and minutes separating**..... Colon made of LEDs.
- **Configuration**..... Deux boutons capacitifs.
- **NTP model**.....
 - Synchronisation unicast, multicast and by DHCP.
 - Advanced configuration from the embedded web server.

MECHANICAL FEATURES

- **Construction**..... ABS/PMMA black (IP30, IK02) and PMMA (poly methyl methacrylate) cristal.
- **Operating temperature range**..... -5 to +55°C.
- **Weight**..... 1.5 Kg.
- **Dimensions**..... See on the back.

ELECTRICAL FEATURES

- **Power supply**.....
 - Réceptrices indépendante, impulsion, AFNOR et radio DHF : 100-240VAC.
 - Wireless ALS+DCF model: 230VAC.
 - NTP model: PoE (Power over Ethernet) – class 0.
- **Consumption max**..... 100-240 VAC ; 75-50mA (red, green, yellow) ; 35-20mA (blue, white).
230 VAC ; 30 mA (red, green, yellow) ; 25 mA (blue, white).
NTP receiver; 4 W (red, green, yellow) ; 1,7 W (blue, white).
- **Electric protection**..... NTP model: Class 3.
Other Synchronisations: Class 2.

STYLE 7S REFERENCES (BY SYNCHRONISATION)

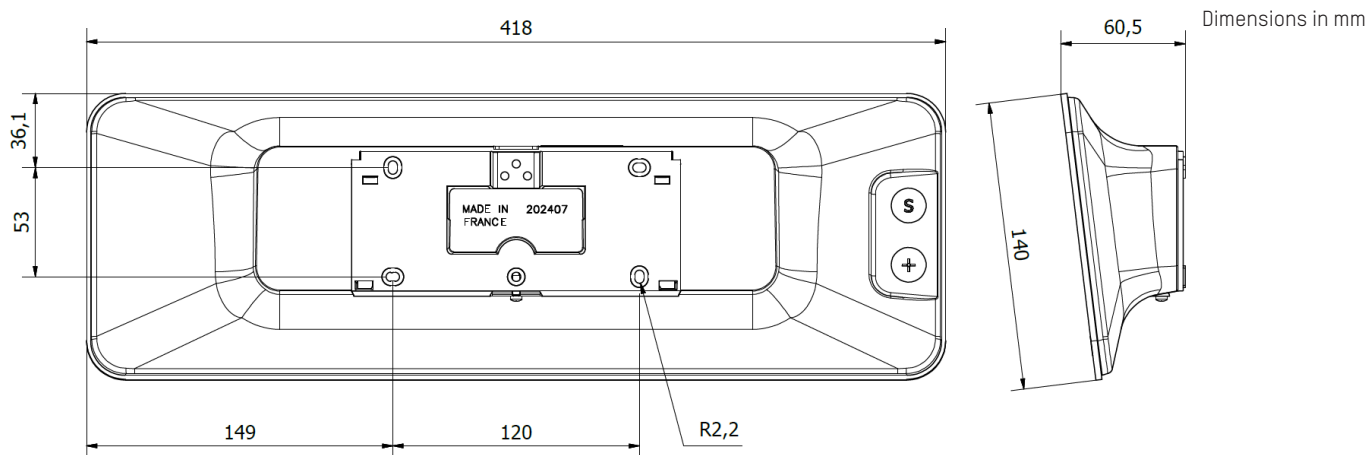
- | | |
|----------------------------------|--|
| • 946 B1x..... Independent model | • 946 005..... Mounting on hanging bracket |
| • 946 B2x..... Impulse model | • 946 006..... Wall mounting |
| • 946 B3x..... ALS+DCF model | |
| • 946 B4x..... DHF model | |
| • 946 B5x..... AFNOR model | |
| • 946 B7x..... NTP model | |



Specify the LED colour by replacing the "x" in the reference number by: 1: red - 2: green - 3: yellow - 4: blue - 5: white



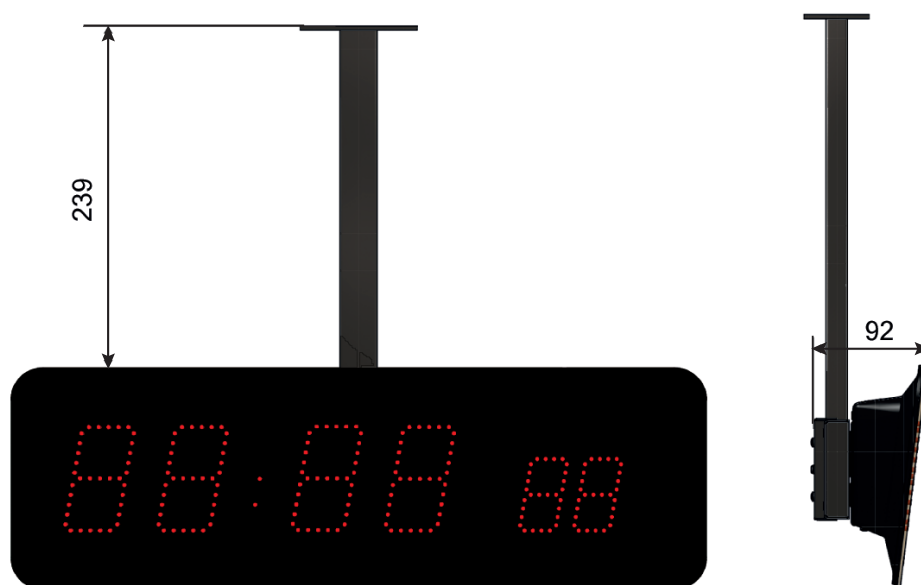
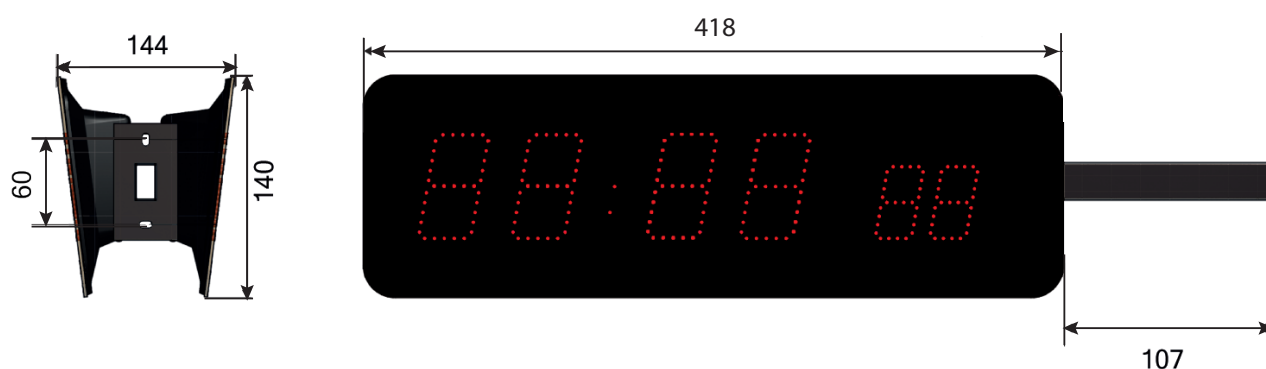
WALL MOUNTING



MOUNTING ON HANGING BRACKET

- The hanging bracket makes possible to hang the clock from the ceiling or from the wall.
- Construction: Steel.
- Colour: Black.

Dimensions in mm



DESCRIPTION

- Style 7S flush mounting digital clock having the same electronics and the same operation than the normal version. However the mechanics are different to allow for flush mounting in a wall.
- LED colours: red.
- Models: independent, impulse, AFNOR and NTP.

FLUSH MOUNT VERSION



GENERAL FEATURES

- Same as Style 7S normal version (see page 1)

MECHANICAL FEATURES

- **Construction**..... Black steel (IP30, IK02) and PMMA (poly methyl methacrylate) cristal.
- **Operating temperature range**..... 0 to +50°C.
- **Weight**..... 2.5 kg.
- **Dimensions**..... See next page.

ELECTRICAL FEATURES

- Same as Style 7S normal version (see page 1)

REFERENCES STYLE RECESSED 7S (BY SYNCHRONISATION)

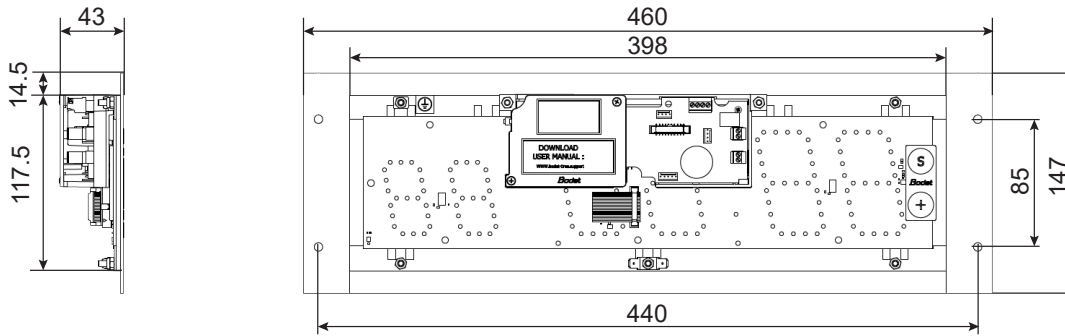
- 946 B11 F..... Independent model
- 946 B21 F..... Impulse model
- 946 B41 F..... DHF model*
- 946 B51 F..... AFNOR model
- 946 B71 F..... NTP model
- 946 015..... Back cover for flush mounting

*Flush mounting is possible but not in metallic partition or equivalent which would perturb the reception of radio signal.

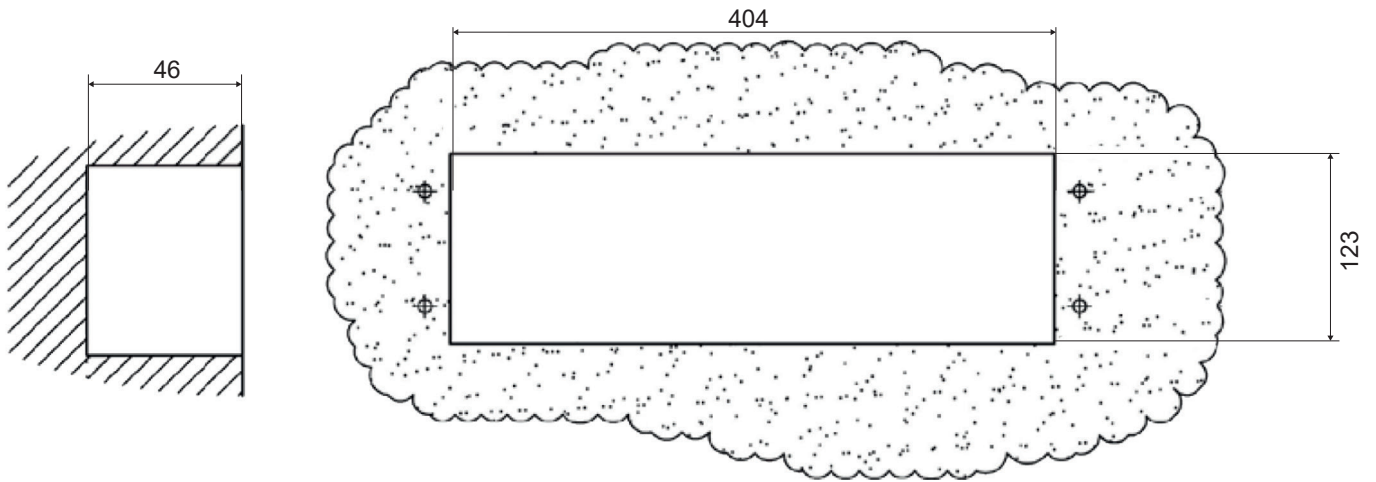
DIMENSIONS

Dimensions in mm

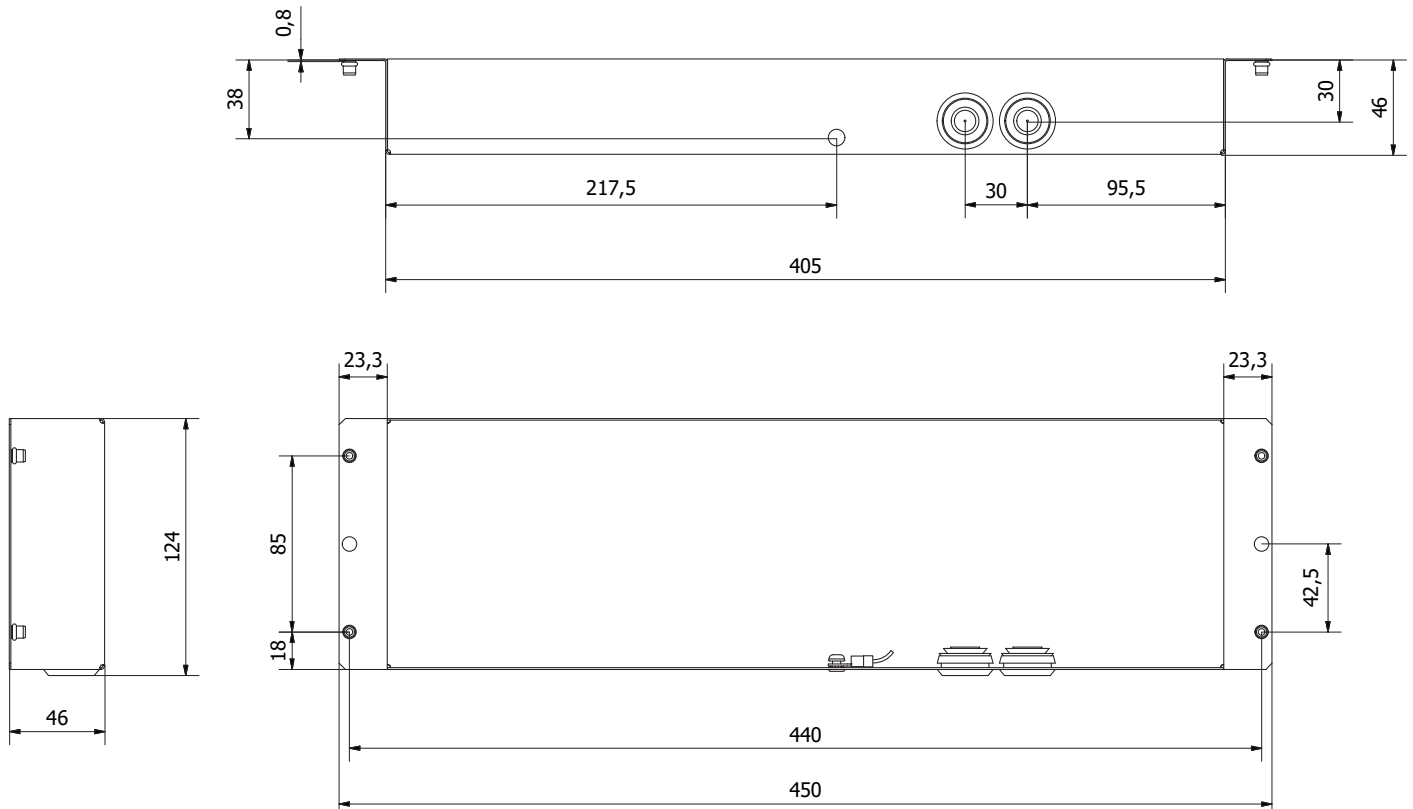
Clock



Size



Flush mounting back cover



Réf.: 643061A 01/19