

STYLE 7S OP

DESCRIPTION

- SMD LED technology for indoor installation.
- Principally used in operating theatres.
- Hours, minutes and seconds display.
- Fixed or alternate time with date or week number display or timer display.
- Height of digits 7 cm (seconds: 5 cm), optimal viewing distance: 30 metres.
- Angle of vision: 120°.
- LED colours: red or green.
- Models: independent, impulse, AFNOR and NTP.



STANDARDS

- EMC: - EN55032, EN55024.
- LVD: EN60950.
- RED (radio models): EN301-489-3.

TECHNICAL FEATURES OF THE CLOCK

GENERAL

- **Adjustable brightness**..... 4 levels.
- **Display mode**..... 12 or 24 hour.
- **Eco mode**..... Programmable energy saving or predefined over a time period.
- **Time change**..... Automatic summer/winter time changeover and perpetual calendar.
- **Sauvegarde de la base horaire**.....
 - Independent model: 15 days in case of power failure.
 - Impulse model: in case of power failure, data saving and impulses reception without battery.
 - Synchronised models: at each start the clocks wait for the synchronisation signal.
- **Time accuracy**..... 0,2 second/day (except NTP model: precision dependent on the time server).
- **Operation**..... Silent.
- **Digit**..... 7 segments with 4 LEDs (hours-minutes) and 7 segments with 3 LEDs (seconds).
- **Hours and minutes separating**..... Colon made of LEDs.
- **Configuration**..... 2 capacitive buttons.
- **NTP model**.....
 - Synchronisation unicast, multicast and by DHCP.
 - Advanced configuration from the embedded web server.

MECHANICAL

- **Construction**..... Stainless steel casing (IP54, IK03) and PMMA (poly methyl methacrylate) cristal.
- **Mounting**..... Flush mounting with 4 holes (screws not provided).
- **Operating temperature range**..... -5 to +55°C.
- **Weight**..... 2.2 Kg.
- **Dimensions**..... See on the back.

ELECTRICAL

- **Power supply**.....
 - Independent, impulse and AFNOR models: 100-240VAC.
 - NTP model: PoE (Power over Ethernet) – class 0.
- **Consumption max**..... 100-240 VAC ; 75-50mA.
NTP receiver; 4 W.
- **Electric protection**..... NTP model: Class 3.
Other Synchronisations: Class 2.

STYLE 7S OP REFERENCES (BY SYNCHRONISATION)



Red

946 C11

946 C21

946 C51

946 C71



Green

946 C12

946 C22

946 C52

946 C72

Independent model

Impulse model

AFNOR model

NTP model

946 015 Back cover for flush mounting

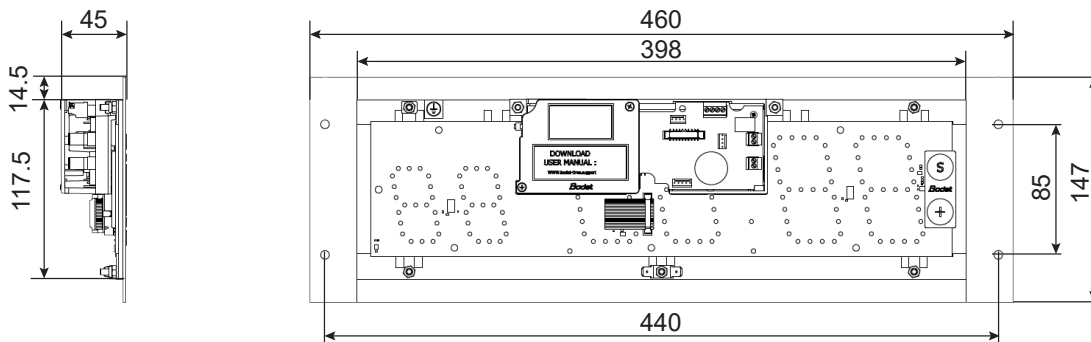
Add a «K» at the end of the reference to include the control unit.

Ex.: 946 311K => Style 7S OP Independent with control unit – red L ED

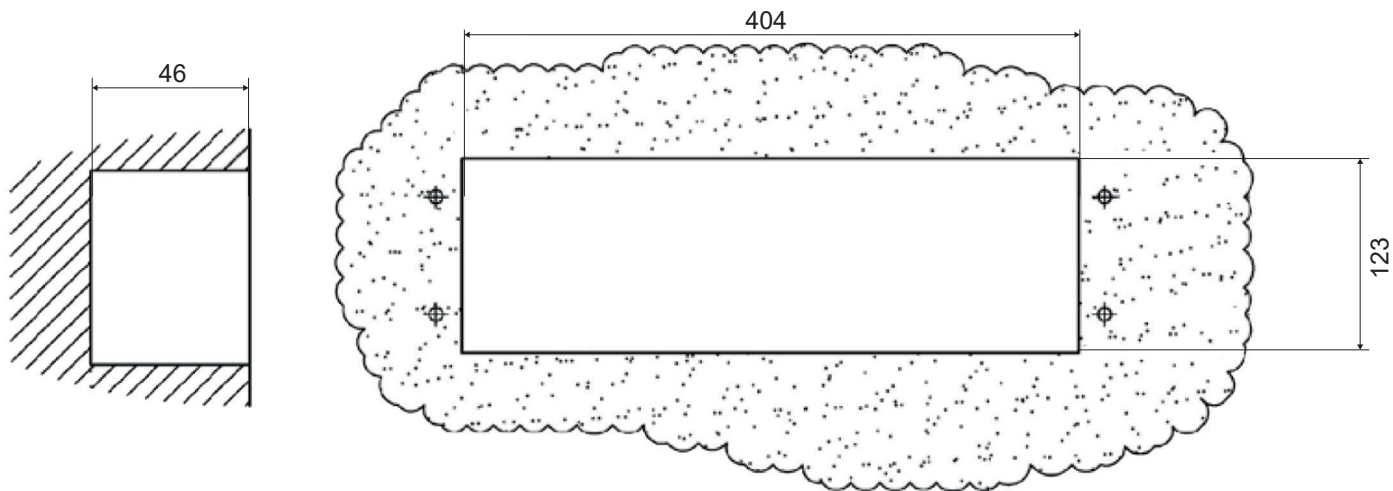


STYLE 75 OP

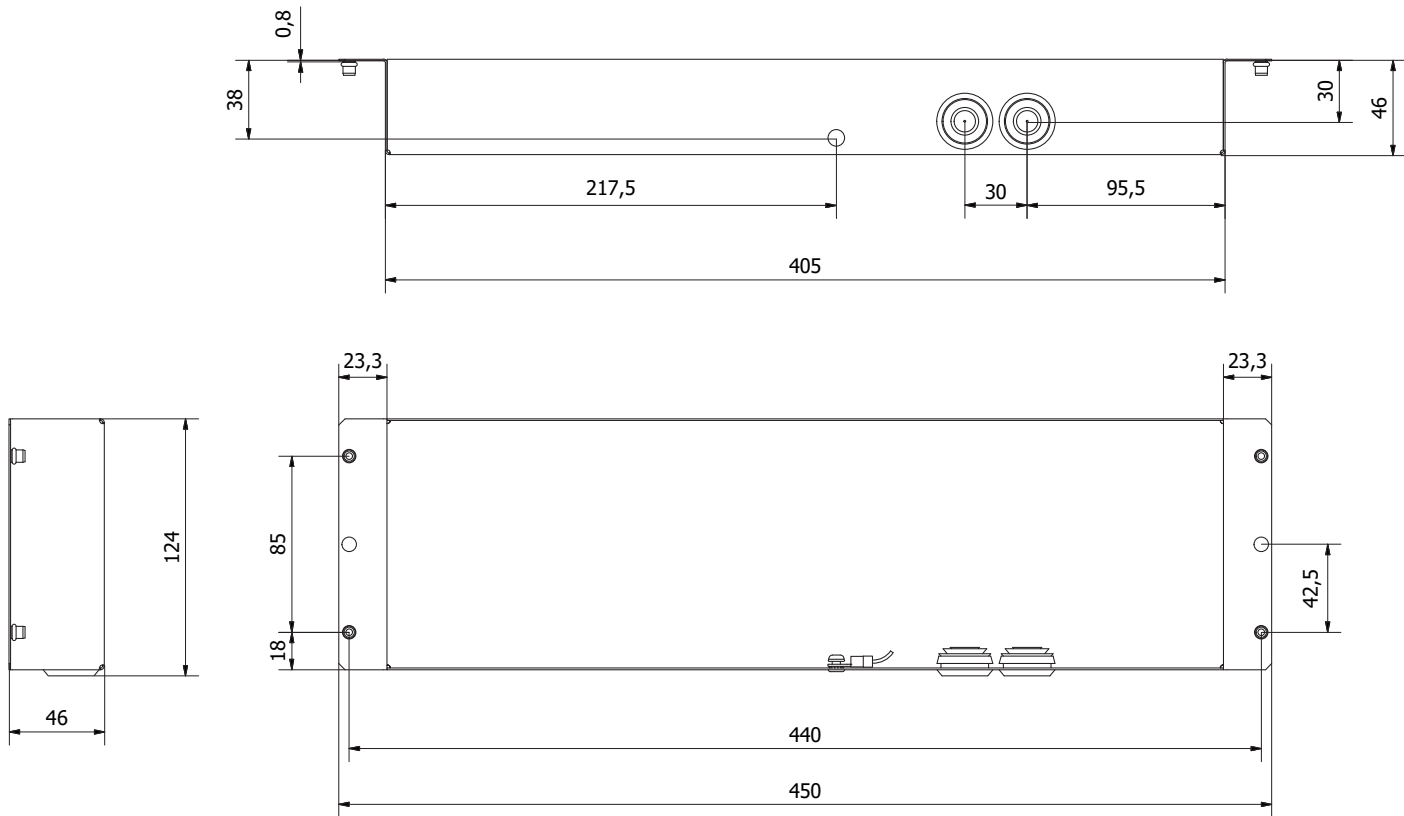
Clock dimensions in mm:



Flush mounting dimensions in mm:



Flush mounting back cover dimensions in mm:



Réf.: 643071A 01/19



TECHNICAL FEATURES OF THE CONTROL UNIT

GENERAL

- **Stopwatch**..... Hour - minute - second from 0 to 23:59:59.
- **Control unit**..... Waterproof control unit with touch sensitive keys for easy cleaning:
 - Time display mode key with LED indicator.
 - Stopwatch display mode key with LED indicator.
 - Start/stop key: successive pressings for start/stop of the stopwatch.
 - Reset key: resetting to zero of the stopwatch.
- **Control**..... Up to 10 clocks.

MECHANICAL

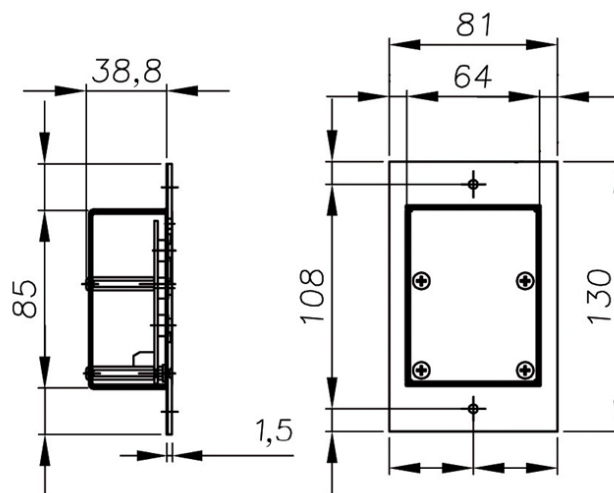
- **Binding**..... Flush mounting (screws not provided).
- **Operating temperature**..... 0 to 50°C.
- **Protection index**..... The front face IP 55.
- **Weight**..... 255 g.

ELECTRICAL

- **Connection**..... 2-pair telephone cable 0.5 mm. Max length: 20 meters.
- **Power supply**..... Power by the clock.



Control unit dimensions in mm:



Flush mounting dimensions in mm:

